



**RDL**<sup>®</sup>  
Radio Design Labs

*SPECIALISTS IN PRACTICAL PRECISION ENGINEERING™*

## ACCESSORIES

Model RM-FP1

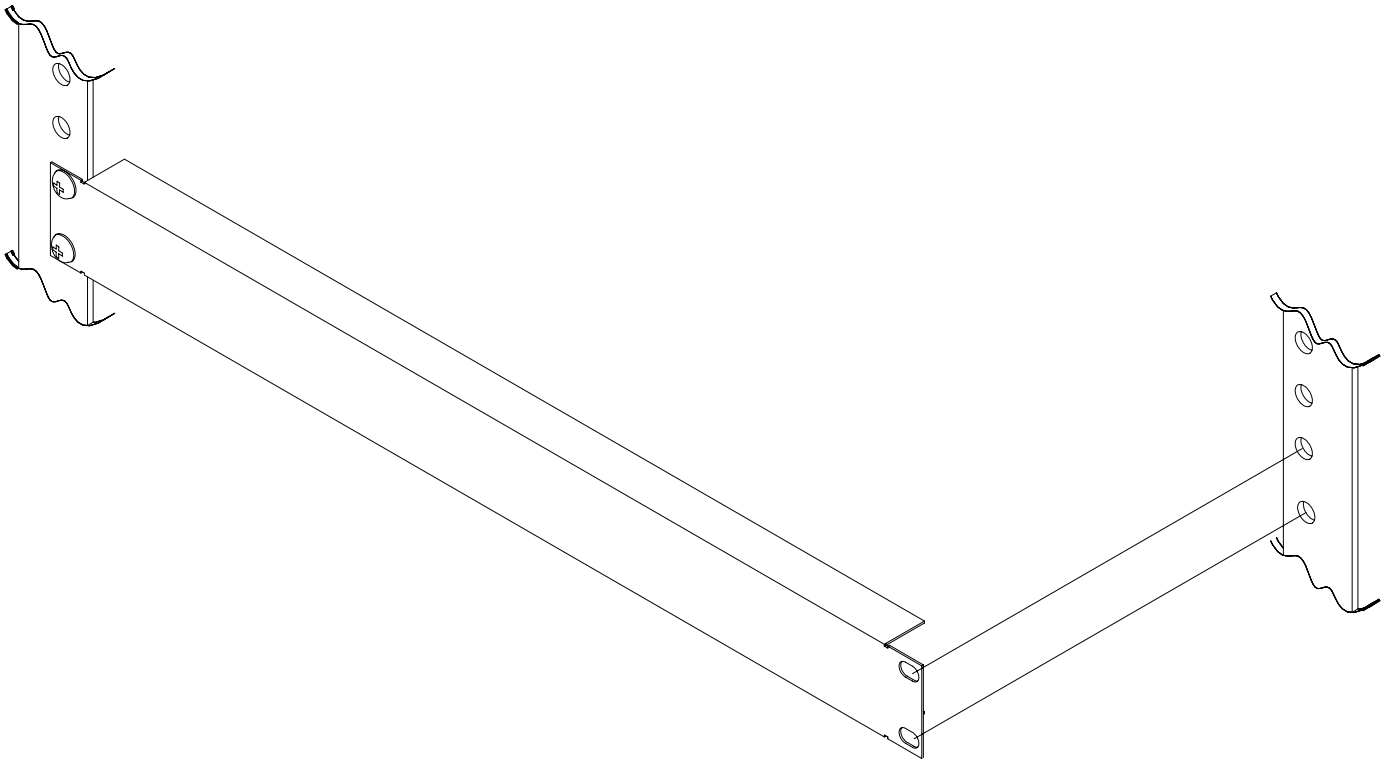
Single Rack Unit Filler Panel

## Installation/Operation



EN55103-1 E1-E5; EN55103-2 E1-E4

Typical Performance reflects product at publication time  
exclusive of EMC data, if any, supplied with product.  
Specifications are subject to change without notice.



Radio Design Labs Technical Support Centers

U.S.A. (800) 933-1780, (928) 778-3554; Fax: (928) 778-3506

Europe [NH Amsterdam] (+31) 20-6238 983; Fax: (+31) 20-6225-287