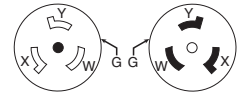


# Hart lock industrial grade 50A locking devices

Project Name:	Prepared By:
Project Number:	Date:
Catalog Number:	Type:

## Description

3-pole, 4-wire grounding  
 50A, 125/250V/AC, 3Ø, 250V/AC  
 Non-NEMA, California standard



Receptacle

Plug



CS6365EX



CS6364EX



CS6365

## Design features for 50A California standard locking devices:

- Pro grip lock provides visual confirmation that device is assembled properly
- Deep tapered wire wells accept up to #6 AWG UL wire – key for long cable runs
- Glass-filled nylon body for superior strength and heat performance
- Unique 3-step assembly process for pro grip plugs and connectors
- Single piece heavy-duty plated mounting strap
- Stainless steel tri-combo assembly screws
- Receptacles utilize rugged, single piece plated mounting strap for corrosion resistance
- Primary applications are temp power, generators, heavy equipment
- Available in armored, marine grade and pro grip nylon shell

**Compliances, specifications and availability are subject to change without notice.**



Powering Business Worldwide

Project Name:	Prepared By:
Project Number:	Date:
Catalog Number:	Type:

**Table 1. 50A California standard plugs & connectors**

Plug catalog no.	Connector catalog no.	Description	Cord diameter	Rating A	Rating V/AC	Color
<input type="checkbox"/> CS6365EX	<input type="checkbox"/> CS6364EX	Pro grip nylon	0.44-1.25" (11.1-31.8mm)	50	125/250	RD & BK
<input type="checkbox"/> CS6365	<input type="checkbox"/> CS6364	Armored	0.68-1.13" (17.3-28.6mm)	50	125/250	Steel

**Table 2. 50A California standard receptacles**

Single receptacle catalog no.	Description	Rating A	Rating V/AC	Color
<input type="checkbox"/> CS6369	California standard receptacles	50	125/250	BK

**Table 3. 50A California standard flanged inlets**

Flanged inlet catalog no.	Flanged inlet w/lid catalog no.	Description	Rating A	Rating V/AC	Color
<input type="checkbox"/> CS6375	<input type="checkbox"/> CS6376	California standard flanged inlets	50	125/250	Steel

**Table 4. 50A 3 Phase California standard plugs & connectors**

Plug catalog no.	Connector catalog no.	Description	Cord diameter	Rating A	Rating V/AC	Color
<input type="checkbox"/> CS8365EX	<input type="checkbox"/> CS8364EX	3Ø pro grip nylon	0.44-1.25" (11.1-31.8mm)	50	250	RD & BK
<input type="checkbox"/> CS8365	<input type="checkbox"/> CS8364	3Ø armored	0.68-1.13" (17.3-28.6mm)	50	250	Steel

**Table 5. 50A 3 Phase California standard receptacles**

Single receptacle catalog no.	Description	Rating A	Rating V/AC	Color
<input type="checkbox"/> CS8369	3Ø California standard receptacles	50	250	BK

**Table 6. 50A 3 Phase California flanged inlets**

Flanged inlet catalog no.	Flanged inlet w/lid catalog no.	Description	Rating A	Rating V/AC	Color
<input type="checkbox"/> CS8375	<input type="checkbox"/> CS8377	3Ø California standard flanged inlets	50	250	Steel

**Table 7. Weather Protective Accessories for 50A Devices**

Catalog No.	Description	Color suffix
<input type="checkbox"/> 7788__	Weather protective glass-filled nylon, w/lift lid cover	BK, CR, GY
<input type="checkbox"/> 7770	Weather protective diecast aluminum, w/lift lid cover	
<input type="checkbox"/> 7716	Weather protective boot for 50A armored plug	
<input type="checkbox"/> 7717	Weather protective boot for 50A armored connector	
<input type="checkbox"/> 7716EX	Weather protective boot for 50A pro grip plug	
<input type="checkbox"/> 7717EX	Weather protective boot for 50A pro grip connector	



CS6376



CS8364



CS8369



7788CR



7770



7716



7717



7716EX



7717EX

Project Name:	Prepared By:
Project Number:	Date:
Catalog Number:	Type:

## Applications

Our rugged glass-filled nylon California standard receptacles, plugs, connectors, and flanged inlets provide outstanding service and durability in the demanding environments found at manufacturing facilities, welding sites, and other general construction. Featuring innovative design for easy wiring and assembly, each device's locking action is easy to implement and ensures safe and reliable connectivity. The face of each device is clearly marked with amperage, voltage, wiring configuration, and catalog number for easy identification.

**Table 8. Specifications**

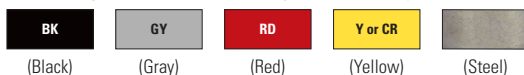
Device type	50A locking pro grip nylon plugs & connectors	50A locking armored plugs & connectors	50A locking receptacles	50A locking flanged inlets
<b>Wiring type</b>	Back wire	Back wire	Back wire	Back wire
<b>Testing &amp; code compliance</b>	<ul style="list-style-type: none"> <li>cULus Listed to UL498, file no. E3663</li> </ul>	<ul style="list-style-type: none"> <li>cULus Listed to UL498, file no. E3663</li> </ul>	<ul style="list-style-type: none"> <li>Listed to UL498, file no. E3663</li> <li>CSA certified to C22.2, no. 42</li> </ul>	<ul style="list-style-type: none"> <li>Listed to UL498, file no. E3663</li> <li>CSA certified to C22.2, no. 42</li> </ul>
<b>Environmental specifications</b>	<b>Flammability:</b> Meets UL94 requirements, V0 rated <b>Temperature rating:</b> -40°C to 105°C (-40°F to 221°F)	<b>Flammability:</b> Meets UL94 requirements, V0 rated <b>Temperature rating:</b> -40°C to 95°C (-40°F to 203°F)	<b>Flammability:</b> Meets UL94 requirements, V0 rated <b>Temperature rating:</b> 40°C to 105°C (-40°F to 221°F)	<b>Flammability:</b> Meets UL94 requirements, V0 rated <b>Temperature rating:</b> 40°C to 105°C (-40°F to 221°F)
<b>Electrical specifications</b>	<b>Dielectric voltage:</b> Twice the device rating + 1000V per UL498 <b>Current interrupting:</b> Yes, at full-rated current <b>Temperature rise:</b> For connectors: max. 30°C (86°F) after 50 cycles of overload @ 150% of rated current (DC)	<b>Dielectric voltage:</b> Twice the device rating + 1000V per UL498 <b>Current interrupting:</b> Yes, at full-rated current <b>Temperature rise:</b> For connectors: max. 30°C (86°F) after 50 cycles of overload @ 150% of rated current (DC)	<b>Dielectric voltage:</b> ≤300V: 2000V, 301-600V: 3000V per UL498 <b>Current interrupting:</b> Yes, at full-rated current <b>Temperature rise:</b> For connectors: max. 30°C (86°F) after 50 cycles of overload @ 150% of rated current (DC)	<b>Dielectric voltage:</b> ≤300V: 2000V, 301-600V: 3000V per UL498 <b>Current interrupting:</b> Yes, at full-rated current <b>Temperature rise:</b> For connectors: max. 30°C (86°F) after 50 cycles of overload @ 150% of rated current (DC)
<b>Mechanical specifications</b>	<b>Terminal accommodation:</b> #10 - #4 AWG <b>Voltage ratings:</b> Permanently marked on device	<b>Terminal accommodation:</b> #10 - #6 AWG <b>Voltage ratings:</b> Permanently marked on device	<b>Terminal accommodation:</b> #10 - #6 AWG <b>Voltage ratings:</b> Permanently marked on device	<b>Terminal accommodation:</b> #10 - #6 AWG <b>Voltage ratings:</b> Permanently marked on device

**Table 9. Materials**

Device type	50A locking pro grip nylon plugs & connectors	50A locking armored plugs & connectors	50A locking receptacles	50A locking flanged inlets
<b>Outer shell</b>	Nylon, impact modified	Cold-rolled steel, zinc plated	Steel	N/A
<b>Interior body</b>	Glass-filled nylon	Glass-filled nylon	Glass-filled nylon	Glass-filled nylon
<b>Terminal retainer</b>	Glass-filled nylon	Glass-filled nylon	Glass-filled nylon	Glass-filled nylon
<b>Blades</b>	Brass alloy	Brass alloy, nickel plated	N/A	Brass alloy, zinc plated
<b>Line contacts</b>	Brass alloy, zinc plated	Brass alloy, zinc plated	Brass alloy	N/A
<b>Ground shunt</b>	Connectors: 0.027" phosphor bronze	Connectors: 0.027" phosphor bronze	N/A	0.027" phosphor bronze
<b>Terminal clamps</b>	Brass alloy, zinc plated	Brass alloy, zinc plated	Brass alloy, zinc-plated	Brass alloy, zinc-plated
<b>Terminal screws</b>	3/8-27 brass	3/8-27 brass	3/8-27 brass	3/8-27 brass
<b>Ground screw</b>	3/8-27 brass	3/8-27 brass	3/8-27 brass	3/8-27 brass
<b>Assembly/mounting screws</b>	N/A	Steel, zinc plated	N/A	Brass
<b>Gasket/dust shield</b>	Neoprene rubber	Neoprene rubber	N/A	Neoprene rubber
<b>Cord clamp screws</b>	Stainless steel	Stainless steel	N/A	N/A
<b>Cord clamp</b>	Nylon, impact modified	Steel, zinc plated (black)	N/A	N/A
<b>Plug shroud</b>	Cold-rolled steel, zinc plated	Cold-rolled steel, zinc plated	N/A	N/A
<b>Receptacle mounting strap</b>	N/A	N/A	0.060" steel, zinc plated	N/A
<b>Flanged housing/base</b>	N/A	N/A	N/A	Steel, zinc plated

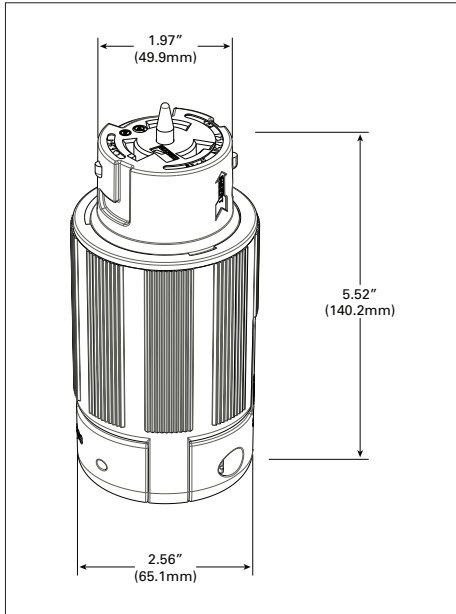
## Color ordering information:

For ordering devices, include Catalog no. followed by the Color suffix: BK (Black), GY (Gray), RD (Red), Y or CR (Yellow)

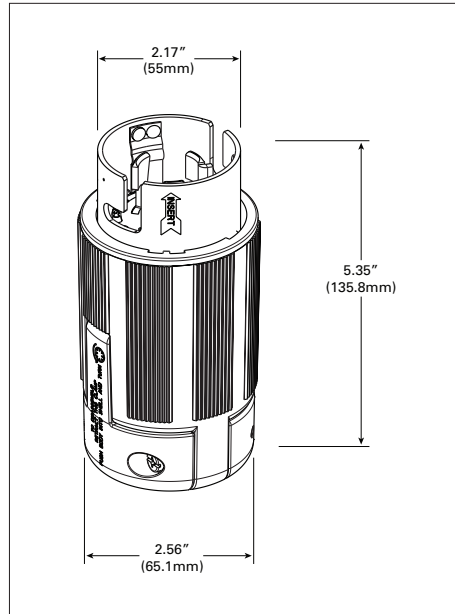


Project Name:	Prepared By:
Project Number:	Date:
Catalog Number:	Type:

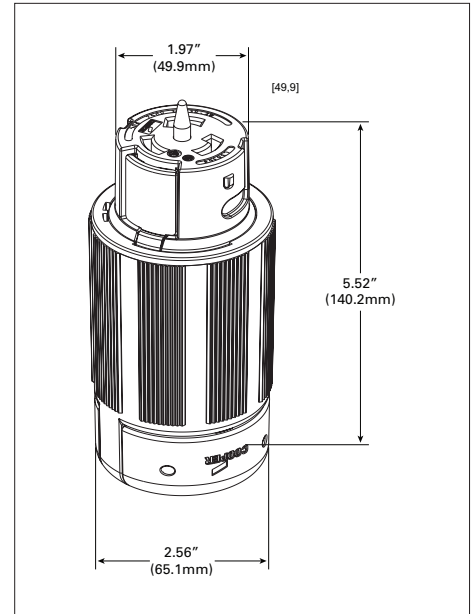
**Product Dimensions**



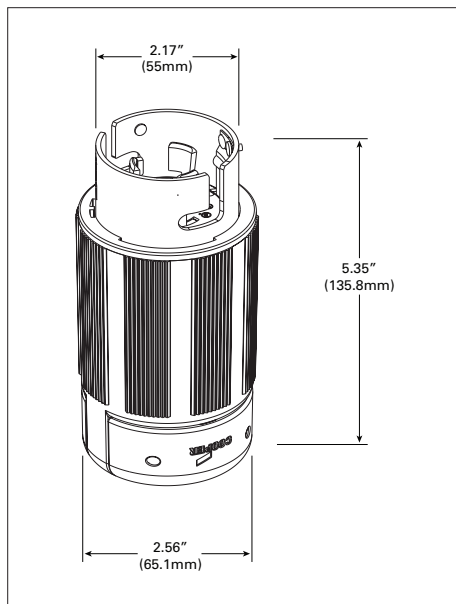
**Figure 1. CS6364EX**



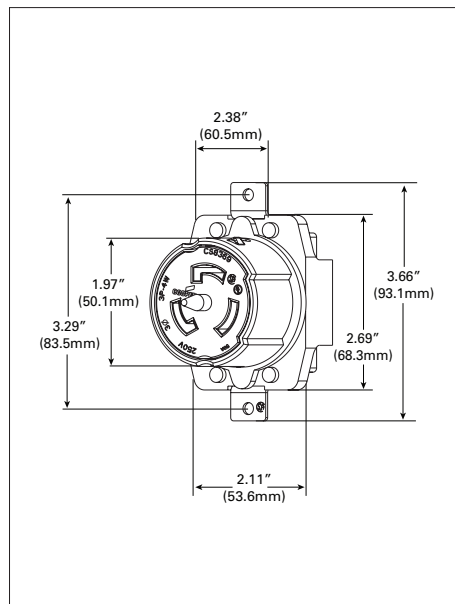
**Figure 2. CS6365EX**



**Figure 3. CS8364EX**








**Figure 4. CS8365EX**




**Figure 5. CS8369**

Project Name:	Prepared By:
Project Number:	Date:
Catalog Number:	Type:

## Certifications & Compliances

Catalog No.					
CS6365EX	•		•		•
CS6364EX	•		•		•
CS6365	•		•		•
CS6364	•		•		•
CS6369		•	•	•	•
CS6375	•		•		•
CS6376	•		•		•
CS8365EX	•		•		•
CS8364EX	•		•		•
CS8365	•		•		•
CS8364	•		•		•
CS8369		•		•	•
CS8375	•				•
CS8377	•				•
7788			•		•
7770					•
7716					•
7717					•
7716EX					•
7717EX					•

**KEY:**  cULus  UL  NAFTA  CSA  ROHS

 Parts are manufactured and designed in accordance with article 4 of the European Union's RoHS2 directive 2011/65/EU

**Compliances, specifications and availability are subject to change without notice.**

Electrical Sector  
203 Cooper Circle  
Peachtree City, GA 30269  
United States  
Eaton.com  
Arrowhart.com

Electrical Sector  
Canada Operations  
5925 McLaughlin Road  
Mississauga, Ontario, L5R 1B8  
Canada  
EatonCanada.ca  
Arrowhart.com

Electrical Sector  
Mexico Operations  
Carr. Tlalnepantla -  
Cuautitlan Km 178 s/n  
Col. Villa Jardin esq.  
Cerrada 8 de Mayo  
Cuautitlan, Mexico CP 54800  
Mexico  
Eaton.mx  
Arrowhart.com

**Eaton**  
1000 Eaton Boulevard  
Cleveland, OH 44122  
United States  
Eaton.com

© 2015 Eaton  
All Rights Reserved  
Printed in USA  
Publication No. E125-0228-14  
January 2015

Eaton is a registered trademark.

All other trademarks are property  
of their respective owners.