

### Description:

The LXR slim frame, knockdown rack is the economical solution for equipment stored in cabinetry or credenzas, under counters or desks, or in any narrow area. The 19.21" [488mm] width provides a narrow footprint for mounting electronic equipment. Four corner post rails are imprinted with a scale in rack unit increments to facilitate cuts if a custom height is needed. And a wide assortment of options enables the LXR to adapt to a variety of applications as it lets you choose the right components for each job. Ships unassembled.

### Features:

- EIA compliant, economical, knockdown rack supports a load up to 400 lbs. [181 kg]
- Base and top are 14-gauge steel with vented fronts for natural heat dissipation.
- Corner post mounting rails are 11-gauge steel (tapped 10-32).
- Rack models with a height of 30, 38 or 44 rack units include two side support brackets for torsional rigidity.
- Ships knocked-down for freight economies.
- Made in the USA with 100% certified US steel.
- Black powder epoxy finish.

### Optional:

Accessories fit slim frame racks in LXR and LVR Series.\*

- **Front Door (LXR-FD series):** The front door (solid steel or smoked plexiglass) sits 1.38" [35mm] from frame and mounts left or right (without drilling). Includes key-lock.
- **Rear Access Cover (LXR-RAC series):** The rear access cover has vents at the top and bottom for passive heat dissipation and includes a key lock for security. The rear access cover will accept fan panel model FWI-KIT or FW2-RD.
- **Side Panels (LXR---SP series):** Side panels extend 1" [25mm] beyond rack (.5"/13mm in front and in rear), increasing overall rack depth to 22" [559mm]. Each panel is .63" [16mm] thick, increasing overall rack width to 20.5" [521mm]. The 18-ga. steel panels feature top and bottom vents and recessed side handles for lift-off access. They can also be secured with screws. Sold in pairs.
- **Mobile Base (LXR-MB21):** The 14-gauge steel skirted design hides four 3" [76mm] swivel casters and increases rack height by 4.25" [108mm].
- **Mobile Base with fine-floor casters (LXR-MB21F):** The 14-ga. steel skirted design hides four 3" [76mm] swivel casters and increases rack height by 4.25" [108mm]. Casters have a special formula rubber tread that won't mar floors and a tough polyolefin core that helps absorb shocks.
- **Cable Chase (LXR-4421CC3):** 3" [76mm] wide raceway for cable management is designed to fit a 44U rack.
- **Swivel Casters (LXR-C3S series):** Available as a set of four swivel, or two swivel/two swivel-locking.
- **Swivel Casters for fine-floors (LXR-C3SF series):** Special formula rubber tread won't mar floors while the tough polyolefin core helps absorb shocks. Available as a set of four swivel, or two swivel /two swivel-locking.
- **Protective Runner Kit (PRK):** Set of four plastic glides help protect wood when rack is placed inside a credenza or custom millwork.

\* Note: LVR Series racks may require depth to be set at a specific point when used with optional side panels or base.



Four corner post mounting rails feature a scale printed in rack unit increments to aid equipment installation.



Tall racks (30+ rack units) include two side support brackets for torsional rigidity.

Ships knocked-down for freight economies.

### Optional:



Solid front door with mobile base.



Cable chase.



Mobile base

Side panels



Protective runner kit helps protect surfaces when rack is placed in a built-in application.

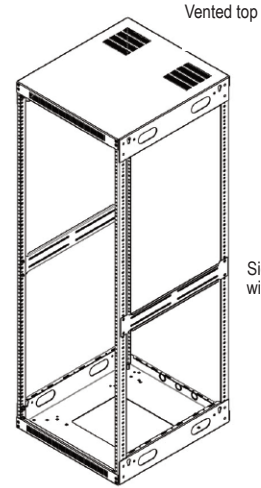
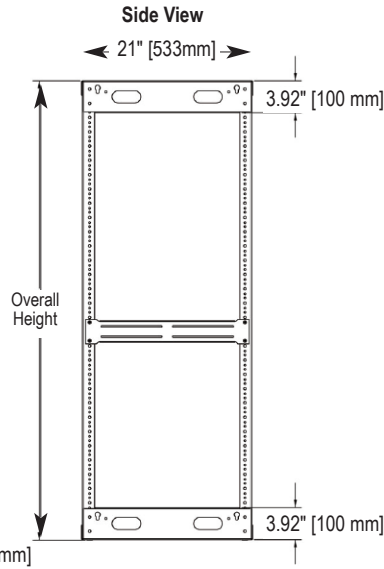
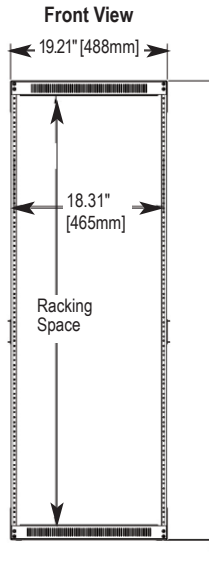
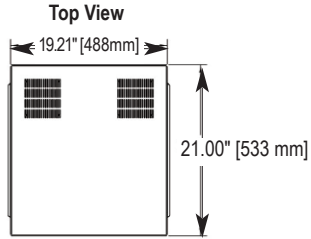


Swivel casters (or swivel-locking)

Note: To avoid tipover, use caution when loading or moving a rack mounted on a mobile base or casters.

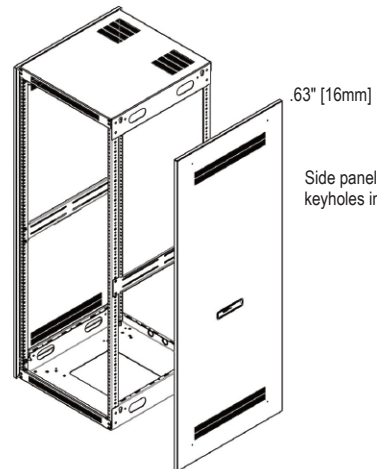
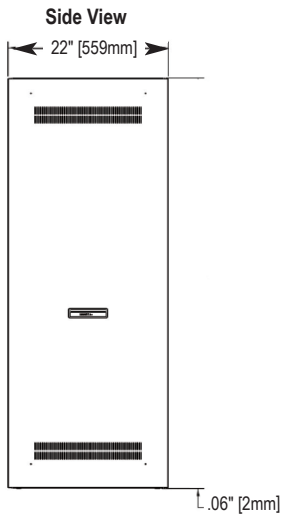
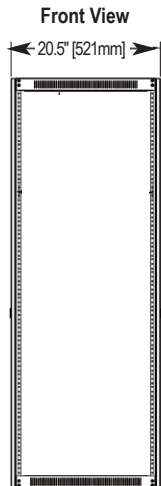
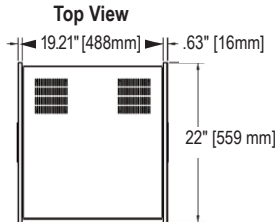
### A&E Specifications:

The rack shall be Lowell Model \_\_\_\_\_ and shall measure 19.21" [488 mm] wide with a depth of 21 inches [533 mm]. Panel space shall be \_\_\_\_\_ rack units. Corner post mounting rails shall be 11-gauge steel imprinted with rack unit increments. Rack models 30 rack units and taller shall include one pair of side support brackets. Rack shall ship knocked-down. It shall be finished in black powder epoxy and include assembly/panel mounting hardware.



Side support brackets included with tall models (30U, 38U, 44U)

**Optional Side Panels:** Side panels extend beyond rack increasing overall depth to 22" [559 mm] and overall width to 20.5" [521 mm].



Side panels mount to keyholes in rack.

Model No.	Description	Rackling Space	Inside Height (side)	Overall Height	Overall Width	Overall Depth	Side Brackets
LXR-821	LXR Slim Rack	14.0 in / 356 mm / 8U	9.931 in / 252 mm	17.84 in / 453 mm	19.21 in / 488 mm	21 in / 533 mm	---
LXR-1421	LXR Slim Rack	24.5 in / 622 mm / 14U	20.431 in / 519 mm	28.34 in / 720 mm	19.21 in / 488 mm	21 in / 533 mm	---
LXR-2221	LXR Slim Rack	38.5 in / 978 mm / 22U	34.431 in / 875 mm	42.34 in / 1075 mm	19.21 in / 488 mm	21 in / 533 mm	---
LXR-3021	LXR Slim Rack	52.5 in / 1334 mm / 30U	48.431 in / 1230 mm	56.34 in / 1431 mm	19.21 in / 488 mm	21 in / 533 mm	2
LXR-3821	LXR Slim Rack	66.5 in / 1689 mm / 38U	62.431 in / 1586 mm	70.34 in / 1787 mm	19.21 in / 488 mm	21 in / 533 mm	2
LXR-4421	LXR Slim Rack	77.0 in / 1956 mm / 44U	72.931 in / 1852 mm	80.84 in / 2053 mm	19.21 in / 488 mm	21 in / 533 mm	2
<b>Options:</b>							
LXR-FD-8	Solid Steel Front Door	8U					
LXR-FD-14	Solid Steel Front Door	14U					
LXR-FD-22	Solid Steel Front Door	22U					
LXR-FD-30	Solid Steel Front Door	30U					
LXR-FD-38	Solid Steel Front Door	38U					
LXR-FD-44	Solid Steel Front Door	44U					
LXR-FD-8P	Plexiglass Front Door	8U					
LXR-FD-14P	Plexiglass Front Door	14U					
LXR-FD-22P	Plexiglass Front Door	22U					
LXR-FD-30P	Plexiglass Front Door	30U					
LXR-FD-38P	Plexiglass Front Door	38U					
LXR-FD-44P	Plexiglass Front Door	44U					
LXR-RAC-8V	Rear Access Cover	8U					
LXR-RAC-14V	Rear Access Cover	14U					
LXR-RAC-22V	Rear Access Cover	22U					
LXR-RAC-30V	Rear Access Cover	30U					
LXR-RAC-38V	Rear Access Cover	38U					
LXR-RAC-44V	Rear Access Cover	44U					
LXR-821SP	Side Panels (1-pr)	8U				22 in / 559 mm	
LXR-1421SP	Side Panels (1-pr)	14U				22 in / 559 mm	
LXR-2221SP	Side Panels (1-pr)	22U				22 in / 559 mm	
LXR-3021SP	Side Panels (1-pr)	30U				22 in / 559 mm	
LXR-3821SP	Side Panels (1-pr)	38U				22 in / 559 mm	
LXR-4421SP	Side Panels (1-pr)	44U				22 in / 559 mm	
LXR-MB21	Mobile Base						
LXR-MB21F	Mobile Base (with fine-floor casters)						
LXR-C3S	Swivel Casters (set of 4)						
LXR-C3SL	Swivel Casters (set of 4, 2 locking)						
LXR-C3SF	Swivel Casters for fine-floors (set of 4)						
LXR-C3SFL	Swivel Casters for fine-floors (set of 4, 2 locking)						
LXR-4421CC3	Cable Chase (for 44U rack)						
PRK	Protective Runner Kit						

1 rack unit (RU or U) = 1.75 inches or 44.45 mm. Some measurements have been rounded.